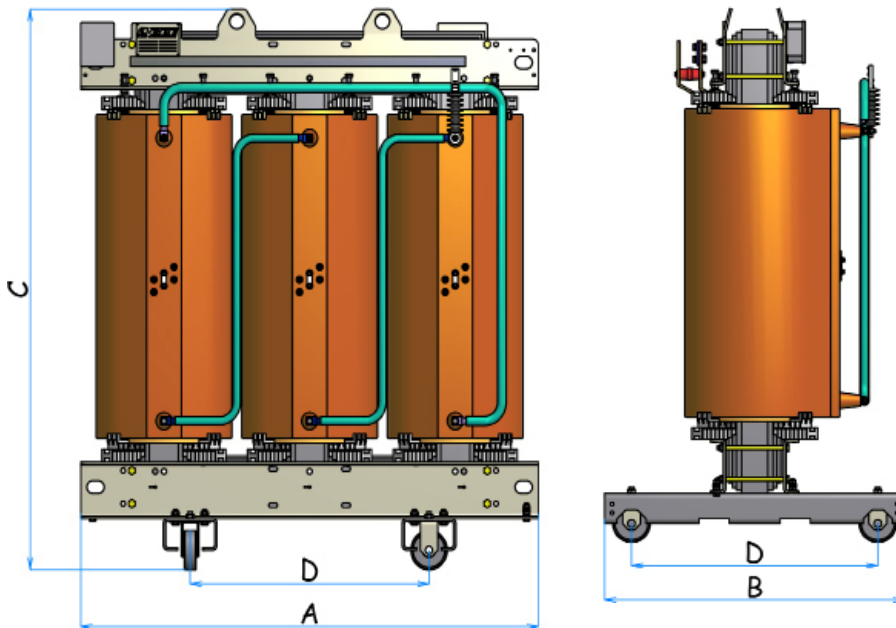


UNITRAFO

POWER QUALITY – SAFE ENVIRONMENT

Cast Resin Transformers Amorphous Ecodesign Tier 2 Voltage Class 24 kV

Standards	IEC 60076 - EN 50588 - EU 548/2014
Insulating Class (Temperature Rise)	F (100 K)
Insulation Class MV	24 kV FI 50 kV BIL 125 kV
Insulation Class LV	1,1 kV FI 3 kV
Frequency	50 Hz
Tappings MV	± 2 x 2,5%
Tolerance	No tolerance on Pcc



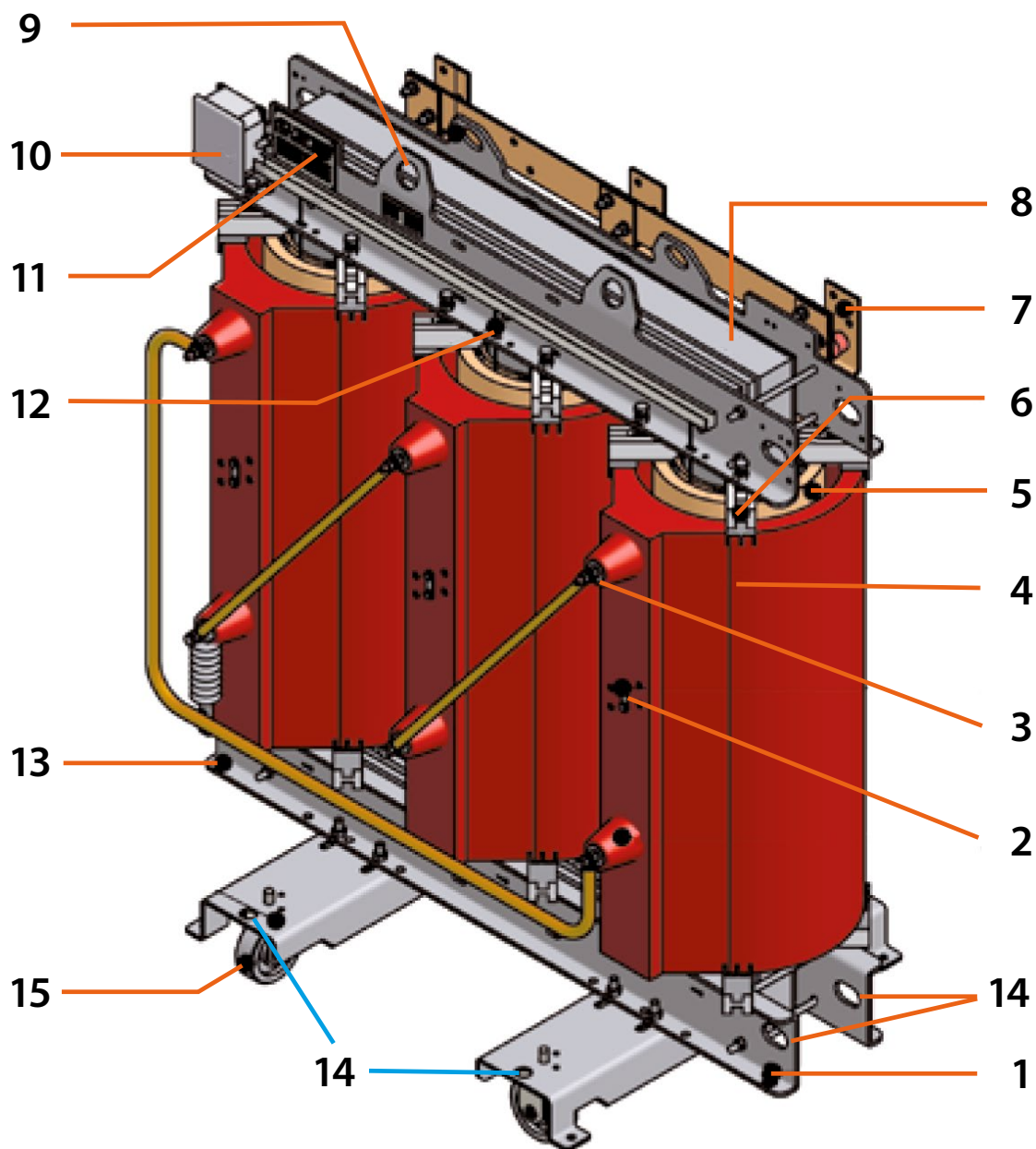
Power kVA	Uk* %	P _o W	Pcc* W	LwA dB(A)	A mm	B mm	C mm	D mm	Wheel mm	Weight Kg
250	6	350	3400	56	1390	670	1060	520	125	2010
315	6	400	3870	58	1440	820	1090	670	125	2190
400	6	450	4500	59	1520	900	1120	670	125	2450
500	6	510	5630	60	1560	820	1240	670	125	2930
630	6	570	7100	61	1610	820	1370	670	125	3390
800	6	610	8000	63	1660	1000	1455	670	125	3840
1000	6	760	9000	64	1720	1000	1810	820	125	4430
1250	6	900	11000	66	1800	1070	1880	820	160	5290
1600	6	1050	13000	67	1880	1100	1950	820	160	6210
2000	6	1250	16000	69	1995	1250	2080	1070	200	7380

Standard equipment

- Terminal board for voltage regulation of $\pm 2 \times 2,5\%$ (Disconnected transformer)
- High Voltage output insulator
- HV connections with n.3 brass details M12
- LV connections plate in aluminum
- Earthing link
- Thermometer with 2 changeover contacts, type JUMO
- Lugs/eyebolts for lifting or horizontal movement
- Trucks (2 pcs) with orthogonal swivelling revolving wheels (4 pcs)
- Ratingplates in accordance with IEC 60076 (2 pcs, whereof one is delivered unmounted)
- Standard testing, including relevant test certificate
- Documentation as digital files

Cast resin transformer

- | | | |
|--------------------------------------|---------------------------------|-------------------------------------|
| 1 Earthing Terminal | 6 Windings Pressure Plugs | 11 Data Plate |
| 2 Primary Voltage Regulating Tapping | 7 Low Voltage Output Terminals | 12 Thermal Sensor |
| 3 High Voltage Output Insulator | 8 Magnetic Core | 13 Lamination Holder |
| 4 High Voltage Winding | 9 Lifting Eyebolts | 14 Eyebolts for Horizontal Movement |
| 5 Low Voltage Winding | 10 Centralization Auxiliary Box | 15 Orthogonal Revolving Wheels |



Options

As an alternative option we can adapt our transformers for your specific needs. For instance we can offer you transformers with extra low losses, windings in copper for special applications, alternative temperature risings and calsses,

double primary- or secondary current, alternative frequencies, low fitted bushings and vector groups as desired. Below you can see some of the options we offer.

TEMPERATURE SUPERVISION

ITEM NO.	DESCRIPTION	ITEM NO.	DESCRIPTION
2	Digitalt thermo instrument with 3 contacts for PT100, T154 Tecsystem	7	PT-100-sensor, 3 pcs incl. mounting
3	Temperature relay for PTC-termistors, T119 Tecsystem	10	Thermometer with 2 changeover contacts, type JUMO
4	Digitalt thermo instrument for PT100 with analogue output 4-20 mA or serial 485-connection or modbus, NT935 Tecsystem	10-P	Temperature transmitter incl. program display, with analouge output 4-20 mA for PT100-sensor

ADDITIONAL ACCESSORIES

ITEM NO.	DESCRIPTION	ITEM NO.	DESCRIPTION
33	Complete fan cooling for forced cooling (power increase +30%) including digitalt temperature instrument T154 and protective relay for fan engines VRT200 (pos 2+36.2). Up to 3150 kVA	42	Electrostatic screen between primary and secondary voltage, max 1,1 kV
36.2	Protective relay for fan engine VRT200 for panel mounting. (N.B. included in the package above)	43	Housing protection - plexiglass
38	Antivibration pads, set of 4 pcs/ transformer	43.1	Plexiglass protection for terminal boards
40	Earthing bolts for HV- or LV-side (Ø 25 mm)	44	Cupal plates
40 A	Earthing link, type Pfisterer (earthing link, control rod och hanger) for work earthing at HV-side with max allowed short circuit current for one second	58	Low placed secondary voltage connectors
40 B	Earthing switch, type ABB, EB12/24, HV-side. Complete with help contact, locking solenoid, hand lever and front		

TESTS*

ITEM NO.	DESCRIPTION	ITEM NO.	DESCRIPTION
	Shock test (up to 6300 kVA)		Heat test
	Sound test		Participation in test at the factory

* Standard testing according to IEC 60076, is always included.