

UNITRAFO

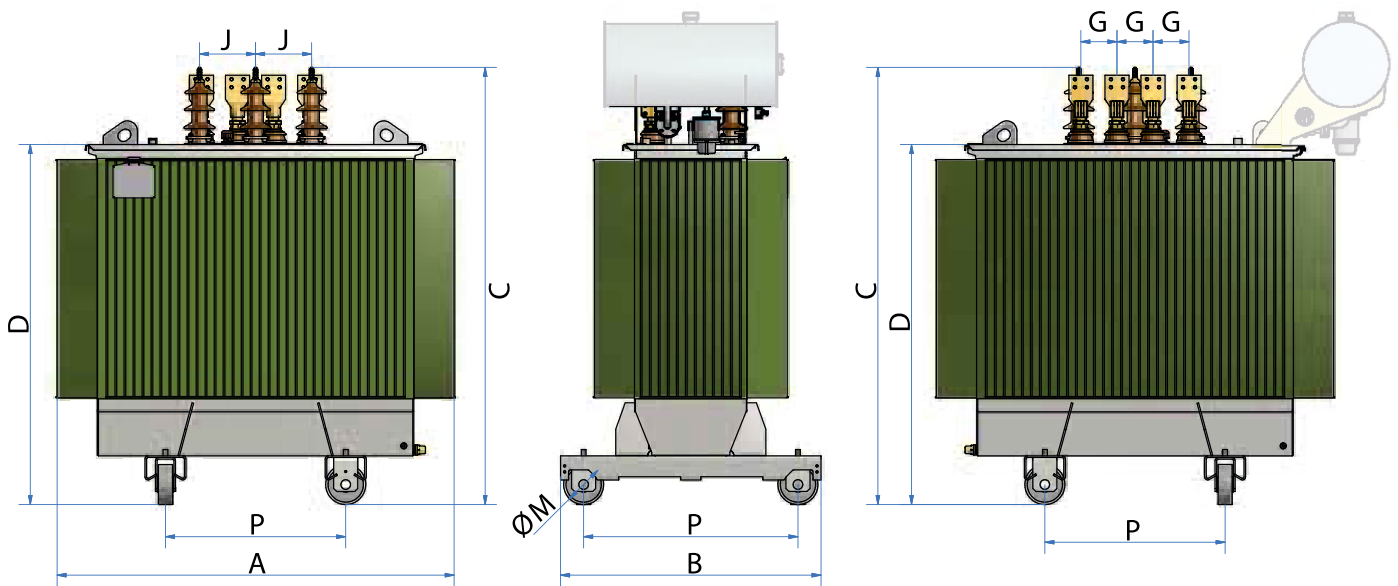
POWER QUALITY – SAFE ENVIRONMENT

Oil-immersed Transformers

EcoMax® - Amorphous

Voltage Class 12 kV

Standards	IEC EN 60076 – IEC EN 50588 – EU 548/2014
Insulating Class (Temperature Rise)	A (60/65 K)
Insulation Class MV	12 kV FI 28 kV BIL 75 kV
Insulation Class LV	1,1 kV FI 3 kV
Frequency	50 Hz
Tappings MV	± 2 x 2,5%
Tolerance	No tolerance on the losses



Hermetically sealed – conservator on request

Power kVA	P _o W	P _{cc} * W	Uk* %	LwA dB(A)	Total Kg	Oil Kg	A mm	B mm	C mm	D mm	M mm	P mm	J mm	G mm		
250	A ₀ -10%	190	C _k	2350	4	46	1900	525	1480	1055	1580	1080	125	820	280	100
315	A ₀ -10%	210	C _k	2800	4	48	2160	575	1510	1055	1610	1190	125	820	280	100
400	A ₀ -10%	250	C _k	3250	4	49	2463	635	1540	1055	1640	1220	125	820	280	100
500	A ₀ -10%	290	C _k	3900	4	50	2810	700	1580	1055	1680	1260	125	820	280	100
630	A ₀ -10%	330	C _k	4600	4	51	3165	770	1680	1055	1720	1380	125	820	280	100
800	A ₀ -10%	400	C _k	6000	6	52	3560	854	1700	1300	1760	1420	125	1070	280	100
1000	A ₀ -10%	480	C _k	7600	6	54	3976	980	1760	1300	1800	1570	160	1070	280	100
1250	A ₀ -10%	550	B _k	9500	6	55	4380	1065	1850	1300	1840	1570	160	1070	280	100
1600	A ₀ -10%	660	B _k	12000	6	57	5122	1212	1970	1300	1910	1610	160	1070	280	180
2000	A ₀ -10%	790	B _k	15000	6	59	6219	1428	1920	1440	1980	1770	160	1070	280	180

* Data referred to 75°C at rated voltage

N.B. Dimensions and weights are preliminary and will be confirmed upon order

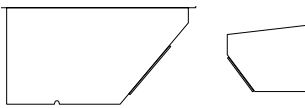
Standard equipment

- MV regulation tapplings $\pm 2 \times 2,5\%$ wired to off-circuit tap changing switch with external operating handle
- Primary bushings, porcelain (3 pcs) DIN 42531
- Secondary porcelain bushings (4 pcs) line terminals plus Neutral bushing DIN 42530
- Oil drain valve A22
- Bi-directional floor rollers (removable)
- Lugs/eyebolts for lifting and movement
- Earthing terminals, type M12
- Ratingplates (2 pcs) in accordance with IEC 60076 (whereof one unmounted)
- Thermometer pocket, type DIN 42554
- Oil filler cap
- Standard testing with relevant test certificate
- Documentation as digital files

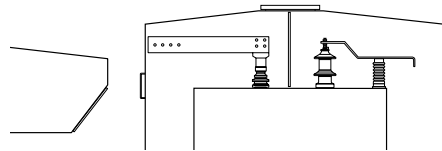
Options

Optional we can adapt our transformers for your special needs. Please contact us for more information.

- Pressure relay QUALITROL with 2 contacts
- Oil temperature indicator with two electrical contacts
- Expansion tank
- Buchholz relay
- Drying device
- Elastimold connections
- Protected housings in coated steel – color: RAL 7031
- Marshalling box
- Windings in copper
- Alternative temperature risings and classes
- Double primary- or secondary voltage
- Alternative frequencies
- Low mounted secondary bushings
- Vector group on demand

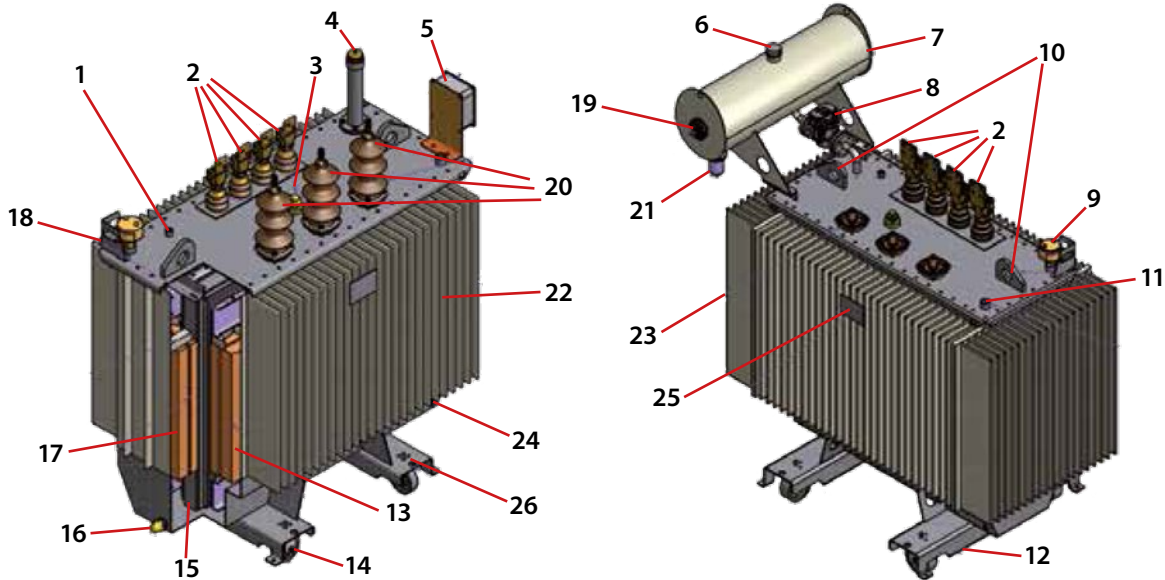


Protected housing with connections on primary or secondary side.



Protected housing with connections on primary and secondary side.

Protected housing with internal rails.



- | | | |
|---|---------------------------------------|--------------------------------------|
| 1 Earthing terminals | 10 Lifting eyebolts | 19 Oil level indicator* |
| 2 Low Voltage Bushings | 11 Thermometer pocket | 20 Medium Voltage Bushings |
| 3 Off load tap changer | 12 Truck | 21 Silica gel connection* |
| 4 Filling pipe with antibrust valve | 13 Medium Voltage Windings | 22 Tank with waves |
| 5 Marshalling Box | 14 Swivelling rollers | 23 Plug-in connectors (upon request) |
| 6 Filling tap* | 15 Magnetic Core | 24 Earthing point on tank |
| 7 Conservator* | 16 Oil discharge and extraction valve | 25 Name plate |
| 8 Buchholz relay* | 17 Low Voltage Windings | 26 Movement eyebolts |
| 9 Thermometer with two electric contacts (on request) | 18 Protection shield (on request) | |

* Not on hermetically sealed transformers