

# UNITRAFO

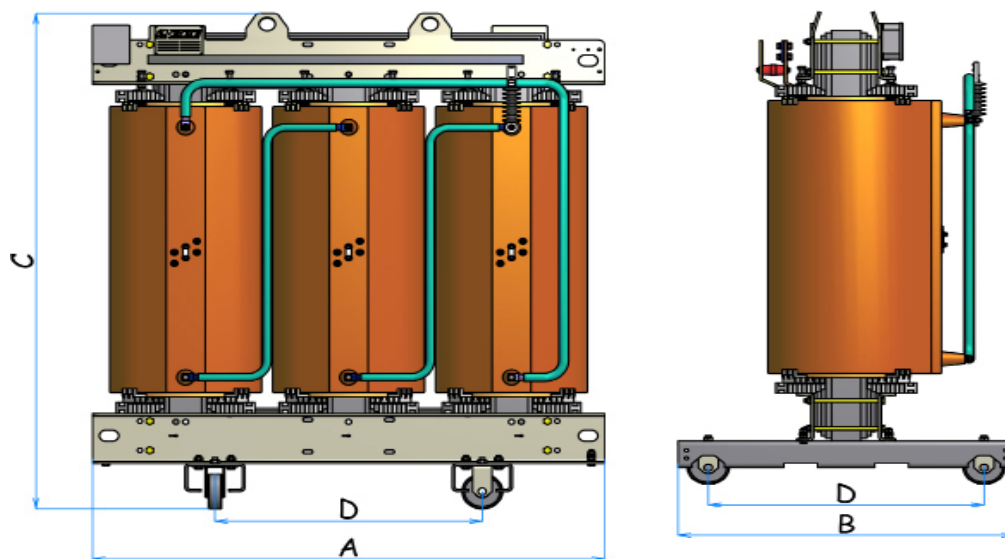
POWER QUALITY – SAFE ENVIRONMENT

## Cast Resin Transformers

### Ecodesign Tier 2

### Voltage Class 36 kV

Standards	IEC 60076 - EN 50588 - EU 548/2014
Insulating Class (Temperature Rise)	F (100 K)
Insulation Class MV	36 kV FI 70 kV BIL 170 kV
Insulation Class LV	1,1 kV FI 3 kV
Frequency	50 Hz
Tappings MV	± 2 x 2,5%
Tolerance	No tolerance on the losses



Power kVA	Uk * %	P <sub>o</sub> W	Pcc * W	I <sub>o</sub> %	LwA dB(A)	LpA dB(A)	A mm	B mm	C mm	D mm	Wheel mm	Weight Kg
100	6	289	1980	0,42	50	37	1350	670	1545	520	125	1160
160	6	414	2860	0,38	53	39	1500	670	1640	520	125	1590
200	6	469	3251	0,38	55	41	1570	670	1670	520	125	1890
250	6	538	3740	0,34	56	42	1570	670	1730	520	125	2130
315	6	641	4264	0,30	58	44	1650	820	1800	670	125	2360
400	6	776	4950	0,28	59	45	1650	820	1880	670	125	2460
500	6	933	6193	0,26	60	46	1680	820	1950	670	125	2830
630	6	1138	7810	0,28	61	47	1710	820	2050	670	125	2940
800	6	1345	8800	0,27	63	48	1740	820	2150	670	125	3360
1000	6	1604	9900	0,24	64	49	1890	1000	2300	820	125	4060
1250	6	1863	12100	0,24	66	51	1920	1050	2370	820	160	4500
1600	6	2277	14300	0,23	67	52	2010	1050	2510	820	160	5110
2000	6	2691	17600	0,20	69	53	2100	1300	2595	1070	200	6360
2500	6	3208	20900	0,19	70	54	2280	1300	2655	1070	200	8170
3150	7	3933	24200	0,18	73	57	2370	1300	2685	1070	200	8940

\* Data referred to 120°C at rated voltage

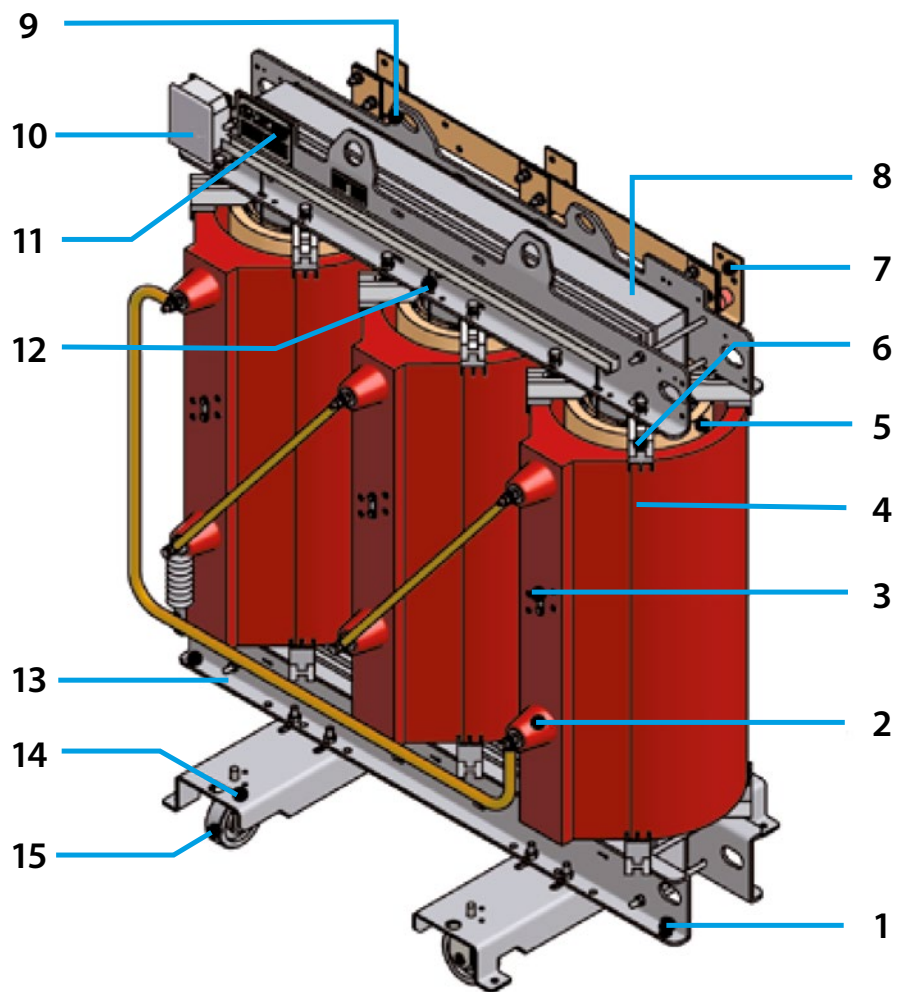
N.B. Dimensions and weights are preliminary and will be confirmed upon order

## Standard equipment

- Terminal board for voltage regulation of  $\pm 2 \times 2,5\%$  (Disconnected transformer)
- High Voltage output insulator
- HV connections with n.3 brass details M12
- LV connections plate in aluminum
- Earthing link
- Thermometer with 2 changeover contacts, type JUMO
- Lugs/eyebolts for lifting or horizontal movement
- Trucks (2 pcs) with orthogonal swivelling revolving wheels (4 pcs)
- Ratingplates in accordance with IEC 60076 (2 pcs, whereof one is delivered unmounted)
- Standard testing, including relevant test certificate
- Documentation as digital files

## CAST RESIN TRANSFORMER – PRINCIPLE SKETCH

- 1 Earthing Terminal
- 2 Medium Voltage Output Insulator
- 3 Medium Voltage Tapping
- 4 Medium Voltage Windings
- 5 Low Voltage Windings
- 6 Windings Pressure Plugs
- 7 Low Voltage Output Bars
- 8 Magnetic Core
- 9 Lifting Eyebolts
- 10 Centralization Auxiliary Box
- 11 Data Plate
- 12 Thermal Sensors
- 13 Core Frame
- 14 Eyebolts for Horizontal Movement
- 15 Orthogonal Revolving Wheels



## Options

As an alternative option we can adapt our transformers for your specific needs. For instance we can offer you transformers with extra low losses, windings in copper for special applications, alternative temperature risings and calsses,

double primary- or secondary current, alternative frequencies, low fitted bushings and vector groups as desired. Below you can see some of the options we offer.

### TEMPERATURE SUPERVISION

ITEM NO.	DESCRIPTION	ITEM NO.	DESCRIPTION
2	Digitalt thermo instrument with 3 contacts for PT100, T154 Tecsystem	7	PT-100-sensor, 3 pcs incl. mounting
3	Temperature relay for PTC-termistors, T119 Tecsystem	10	Thermometer with 2 changeover contacts, type JUMO
4	Digitalt thermo instrument for PT100 with analogue output 4-20 mA or serial 485-connection or modbus, NT935 Tecsystem	10-P	Temperature transmitter incl. program display, with analouge output 4-20 mA for PT100-sensor

### ADDITIONAL ACCESSORIES

ITEM NO.	DESCRIPTION	ITEM NO.	DESCRIPTION
33	Complete fan cooling for forced cooling (power increase +30%) including digitalt temperature instrument T154 and protective relay for fan engines VRT200 (pos 2+36.2). Up to 3150 kVA	42	Electrostatic screen between primary and secondary voltage, max 1,1 kV
36.2	Protective relay for fan engine VRT200 for panel mounting. (N.B. included in the package above)	43	Housing protection - plexiglass
38	Antivibration pads, set of 4 pcs/ transformer	43.1	Plexiglass protection for terminal boards
40	Earthing bolts for HV- or LV-side (Ø 25 mm)	44	Cupal plates
40 A	Earthing link, type Pfisterer (earthing link, control rod och hanger) for work earthing at HV-side with max allowed short circuit current for one second	58	Low placed secondary voltage connectors
40 B	Earthing switch, type ABB, EB12/24, HV-side. Complete with help contact, locking solenoid, hand lever and front		

### TESTING\*

ITEM NO.	DESCRIPTION	ITEM NO.	DESCRIPTION
	Shock test (up to 6300 kVA)		Heat test
	Sound test		Participation in test at the factory

\* Standard testing according to IEC 60076, is always included.