

# UNITRAFO

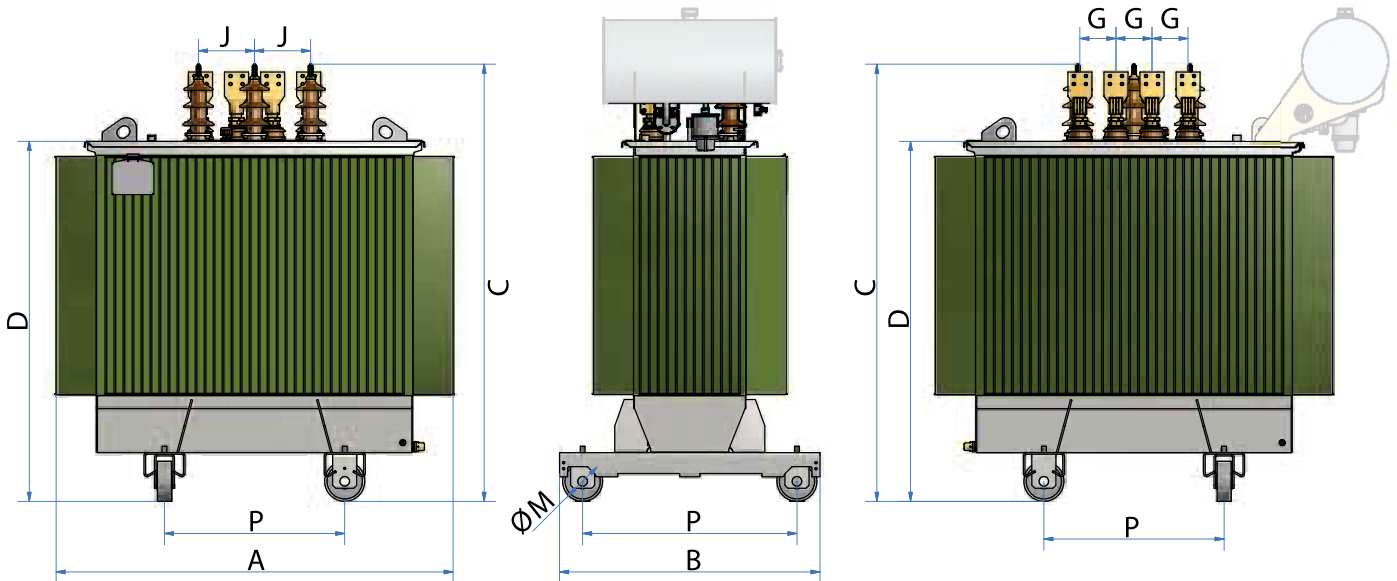
POWER QUALITY – SAFE ENVIRONMENT

## Oil-immersed Transformers

### Ecodesign 2

### Voltage Class 36 kV

Standards	IEC 60076 – EN 50588 – EU 548/2014
Insulating Class (Temperature Rise)	A (60/65 K)
Insulation Class MV	36 kV FI 70 kV BIL 170 kV
Insulation Class LV	1,1 kV FI 3 kV
Frequency	50 Hz
Tappings MV	± 4% or ± 2 x 2,5%
Tolerance	No tolerance on the losses



Hermetically sealed – conservator on request

Power kVA	P <sub>o</sub> W	P <sub>cc</sub> * W	Uk* %	LwA dB(A)	Total Kg	Oil Kg	A mm	B mm	C mm	D mm	M mm	P mm	J mm	G mm		
100	A <sub>0</sub> -10%	150	C <sub>k</sub>	1375	4	40	1120	250	1030	810	1540	1060	125	520	380	90
160	A <sub>0</sub> -10%	217	C <sub>k</sub>	1925	4	43	1420	310	1160	830	1560	1080	125	520	380	90
200	A <sub>0</sub> -10%	259	C <sub>k</sub>	2218	4	43	1630	350	1210	830	1650	1170	125	520	380	100
250	A <sub>0</sub> -10%	310	C <sub>k</sub>	2585	4	46	1770	390	1240	830	1740	1260	125	520	380	100
315	A <sub>0</sub> -10%	373	C <sub>k</sub>	3080	4	48	1920	400	1250	920	1750	1270	125	670	380	100
400	A <sub>0</sub> -10%	445	C <sub>k</sub>	3575	4	49	2140	450	1280	930	1820	1340	125	670	380	100
500	A <sub>0</sub> -10%	528	C <sub>k</sub>	4290	4	50	2500	490	1340	940	1860	1380	125	670	380	100
630	A <sub>0</sub> -10%	621	C <sub>k</sub>	5060	4	51	2920	580	1370	960	1940	1460	125	670	380	100
630	A <sub>0</sub> -10%	621	C <sub>k</sub>	5060	6	51	2750	590	1500	1000	1860	1380	125	670	380	100
800	A <sub>0</sub> -10%	673	C <sub>k</sub>	6600	6	52	3260	680	1500	1010	1970	1490	125	670	380	100
1000	A <sub>0</sub> -10%	797	C <sub>k</sub>	8360	6	54	3440	680	1470	1100	2040	1560	160	820	380	100
1250	A <sub>0</sub> -10%	983	B <sub>k</sub>	10450	6	55	3850	750	1500	1170	2160	1680	160	820	380	100
1600	A <sub>0</sub> -10%	1242	B <sub>k</sub>	13200	6	57	4450	890	1860	1120	2240	1760	160	820	380	180
2000	A <sub>0</sub> -10%	1500	B <sub>k</sub>	16500	6	59	5090	990	1980	1340	2280	1800	200	1070	380	180
2500	A <sub>0</sub> -10%	1811	B <sub>k</sub>	20350	6	62	5710	1190	2070	1340	2430	1950	200	1070	380	220
3150	A <sub>0</sub> -10%	2277	B <sub>k</sub>	25300	6	63	6750	1420	2150	1390	2490	2010	200	1070	380	220

\* Data referred to 75°C at rated voltage

N.B. Dimensions and weights are preliminary and will be confirmed upon order

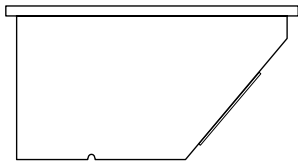
## Standard equipment

- MV regulation tapplings  $\pm 2 \times 2,5\%$  wired to off-circuit tap changing switch with external operating handle
- Primary bushings, porcelain (3 pcs) DIN 42531
- Secondary porcelain bushings (4 pcs) line terminals plus Neutral bushing DIN 42530
- Oil drain valve A22
- Bi-directional floor rollers (removable)
- Lugs/eyebolts for lifting and movement
- Earthing terminals, type M12
- Ratingplates (2 pcs) in accordance with IEC 60076 (whereof one unmounted)
- Thermometer pocket, type DIN 42554
- Oil filler cap
- Standard testing with relevant test certificate
- Documentation as digital files

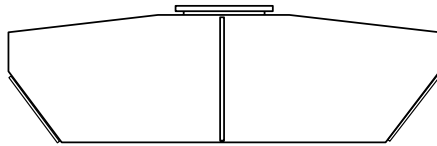
## Options

Optional we can adapt our transformers for your special needs. Please contact us for more information.

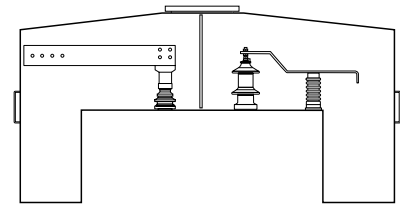
- Pressure relay QUALITROL with 2 contacts
- Oil temperature indicator with two electrical contacts
- Expansion tank
- Buchholz relay
- Drying device
- Elastimold connections
- Protected housings in coated steel – color: RAL 7031
- Marshalling box
- Windings in copper
- Alternative temperature risings and classes
- Double primary- or secondary voltage
- Alternative frequencies
- Low mounted secondary bushings
- Vector group on demand



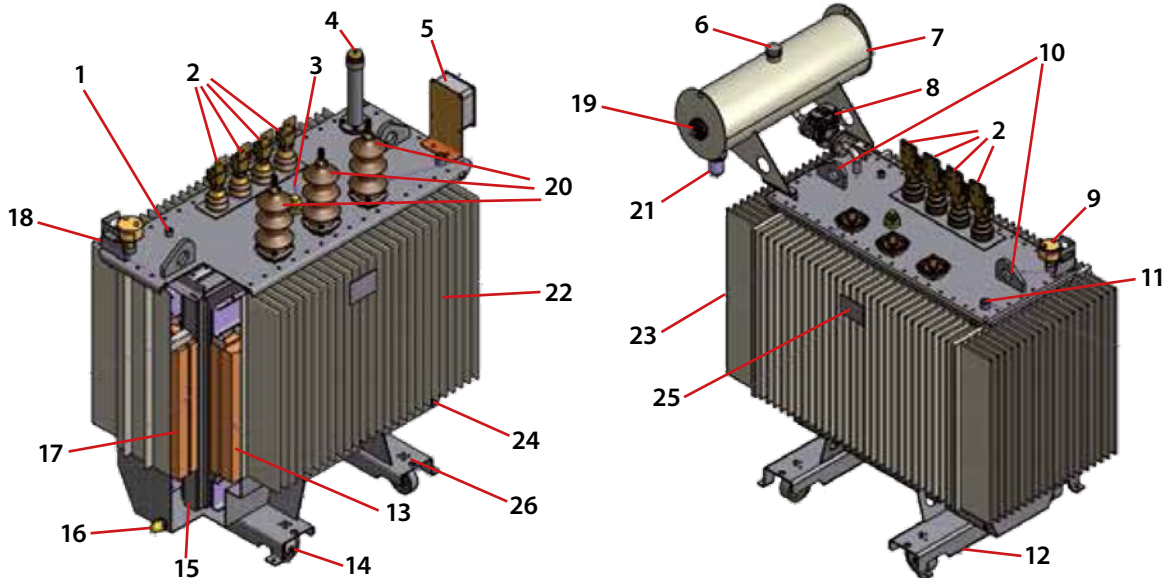
Protected housing with connections on primary or secondary side.



Protected housing with connections on primary and secondary side.



Protected housing with internal rails.



- |   |                                       |                                      |
|---|---------------------------------------|--------------------------------------|
| 1 Earthing terminals                                  | 10 Lifting eyebolts                   | 19 Oil level indicator*              |
| 2 Low Voltage Bushings                                | 11 Thermometer pocket                 | 20 Medium Voltage Bushings           |
| 3 Off load tap changer                                | 12 Truck                              | 21 Silica gel connection*            |
| 4 Filling pipe with antibrust valve                   | 13 Medium Voltage Windings            | 22 Tank with waves                   |
| 5 Marshalling Box                                     | 14 Swivelling rollers                 | 23 Plug-in connectors (upon request) |
| 6 Filling tap*  | 15 Magnetic Core                      | 24 Earthing point on tank            |
| 7 Conservator*  | 16 Oil discharge and extraction valve | 25 Name plate                        |
| 8 Buchholz relay*                                     | 17 Low Voltage Windings               | 26 Movement eyebolts                 |
| 9 Thermometer with two electric contacts (on request) | 18 Protection shield (on request)     |                                      |

\* Not on hermetically sealed transformers