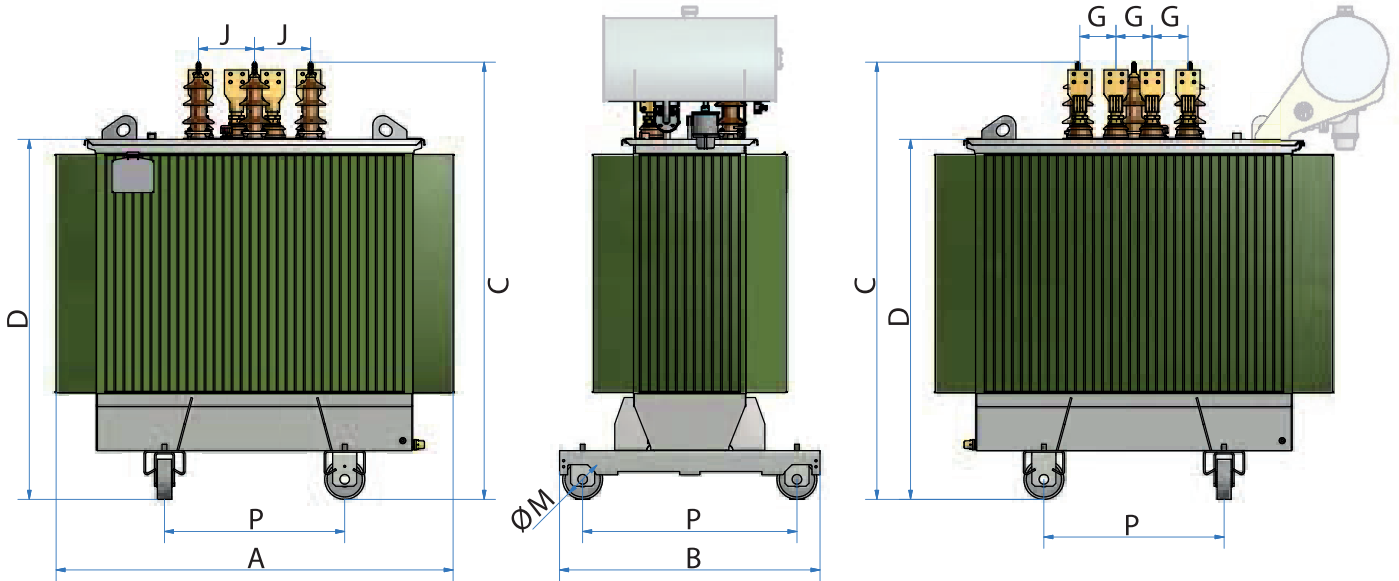


UNITRAFO

Oil-immersed Transformers Ecodesign 2 Voltage Class 36 kV

Standards	IEC 60076 – EN 50588 – EU 548/2014
Insulating Class (Temperature Rise)	A (60/65 K)
Insulation Class MV	36 kV FI 70 kV BIL 170 kV
Insulation Class LV	1,1 kV FI 3 kV
Frequency	50 Hz
Tappings MV	± 4% or ± 2 x 2,5%
Tolerance	No tolerance on the losses



Hermetically sealed – conservator on request

Power kVA	P ₀ * W	P _k * W	U _k * %	LwA dB(A)	Total Kg	Oil Kg	A mm	B mm	C mm	D mm	M mm	P mm	J mm	G mm		
100	A ₀ -10%	149	C _k	1375	4	40	1440	380	1380	790	1690	1210	125	520	380	90
160	A ₀ -10%	217	C _k	1925	4	43	1410	320	1190	840	1580	1100	125	520	380	90
200	A ₀ -10%	259	C _k	2218	4	43	1640	380	1290	840	1650	1170	125	520	380	150
250	A ₀ -10%	310	C _k	2585	4	46	1780	400	1290	840	1740	1260	125	520	380	150
315	A ₀ -10%	373	C _k	3080	4	48	1900	430	1320	920	1750	1270	125	670	380	150
400	A ₀ -10%	445	C _k	3575	4	49	2200	480	1350	940	1820	1340	125	670	380	150
500	A ₀ -10%	528	C _k	4290	4	50	2480	530	1410	940	1860	1380	125	670	380	150
630	A ₀ -10%	621	C _k	5060	4	51	2910	600	1450	960	1940	1460	125	670	380	150
630	A ₀ -10%	621	C _k	5060	6	51	2720	620	1510	960	1900	1420	125	670	380	150
800	A ₀ -10%	673	C _k	6600	6	51	3230	660	1510	1050	1940	1460	125	670	380	150
1000	A ₀ -10%	797	C _k	8360	6	54	3690	760	1530	1110	2080	1600	125	670	380	150
1250	A ₀ -10%	983	B _k	10450	6	55	3810	770	1500	1250	2100	1620	160	820	380	150
1600	A ₀ -10%	1242	B _k	13200	6	57	4360	940	1900	1220	2200	1720	160	820	380	180
2000	A ₀ -10%	1500	B _k	16500	6	59	5340	1140	1980	1340	2280	1800	200	1070	380	180
2500	A ₀ -10%	1811	B _k	20350	6	62	6420	1420	2080	1340	2470	1990	200	1070	380	220
3150	A ₀ -10%	2277	B _k	25300	6	63	7680	1610	2160	1440	2450	2010	200	1070	380	220

* Data referred to 75°C at rated voltage

Po = Non load losses | Pk = Load losses | Ptot (Po+Pk) = Total losses

N.B. Dimensions and weights are preliminary and will be confirmed upon order

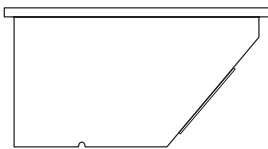
Standard equipment

- MV regulation tappings $\pm 2 \times 2,5\%$ wired to off-circuit tap changing switch with external operating handle
- Primary bushings, porcelain (3 pcs) DIN 42531
- Secondary porcelain bushings (4 pcs) line terminals plus Neutral bushing DIN 42530
- Oil drain valve A22
- Bi-directional floor rollers (removable)
- Lugs/eyebolts for lifting and movement
- Earthing terminals, type M12
- Ratingplates (2 pcs) in accordance with IEC 60076 (whereof one unmounted)
- Thermometer pocket, type DIN 42554
- Oil filler cap
- Standard testing with relevant test certificate
- Documentation as digital files

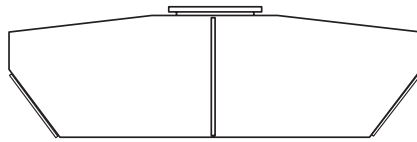
Options

Optional we can adapt our transformers for your special needs. Please contact us for more information.

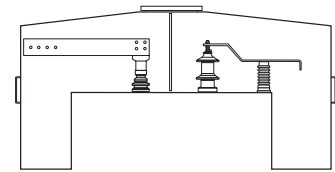
- Pressure relay QUALITROL with 2 contacts
- Oil temperature indicator with two electrical contacts
- Expansion tank
- Buchholz relay
- Drying device
- Elastimold connections
- Protected housings in coated steel – color: RAL 7031
- Marshalling box
- Windings in copper
- Alternative temperature risings and classes
- Double primary- or secondary voltage
- Alternative frequencies
- Low mounted secondary bushings
- Vector group on demand



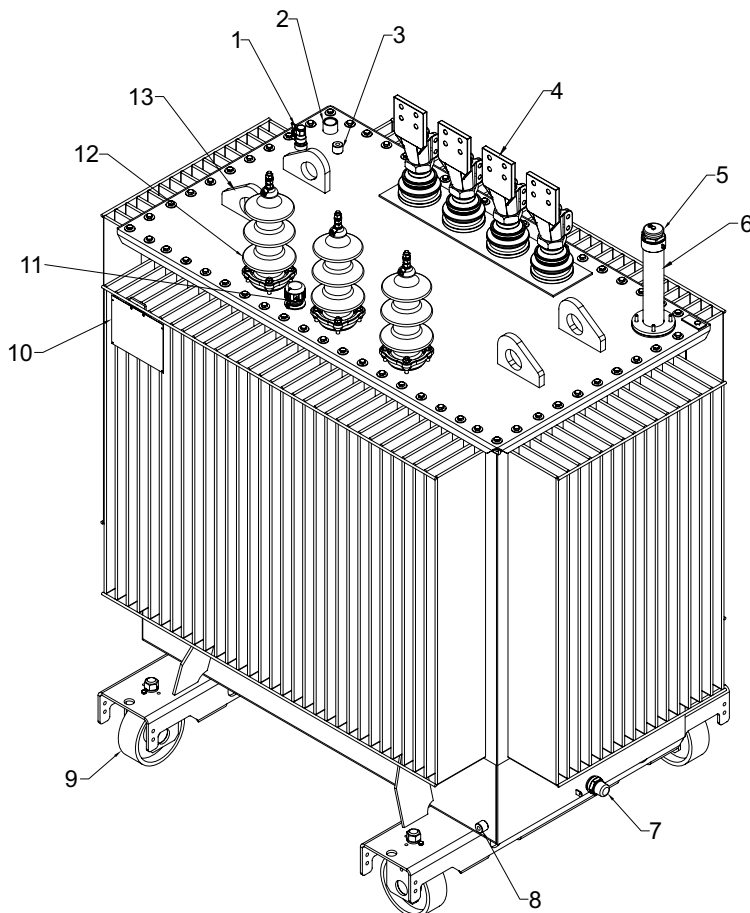
Protected housing with connections on primary or secondary side.



Protected housing with connections on primary and secondary side.



Protected housing with internal rails.



- 1 Filling cap
- 2 Thermometer pocket
- 3 Earthing terminals
- 4 Low voltage bushings
- 5 Safety valve
- 6 Filling pipe
- 7 Drain valve
- 8 Earthing terminals
- 9 Redirectable wheels
- 10 Rating plate
- 11 Off-load tap changer
- 12 Medium voltage bushings
- 13 Lifting lugs