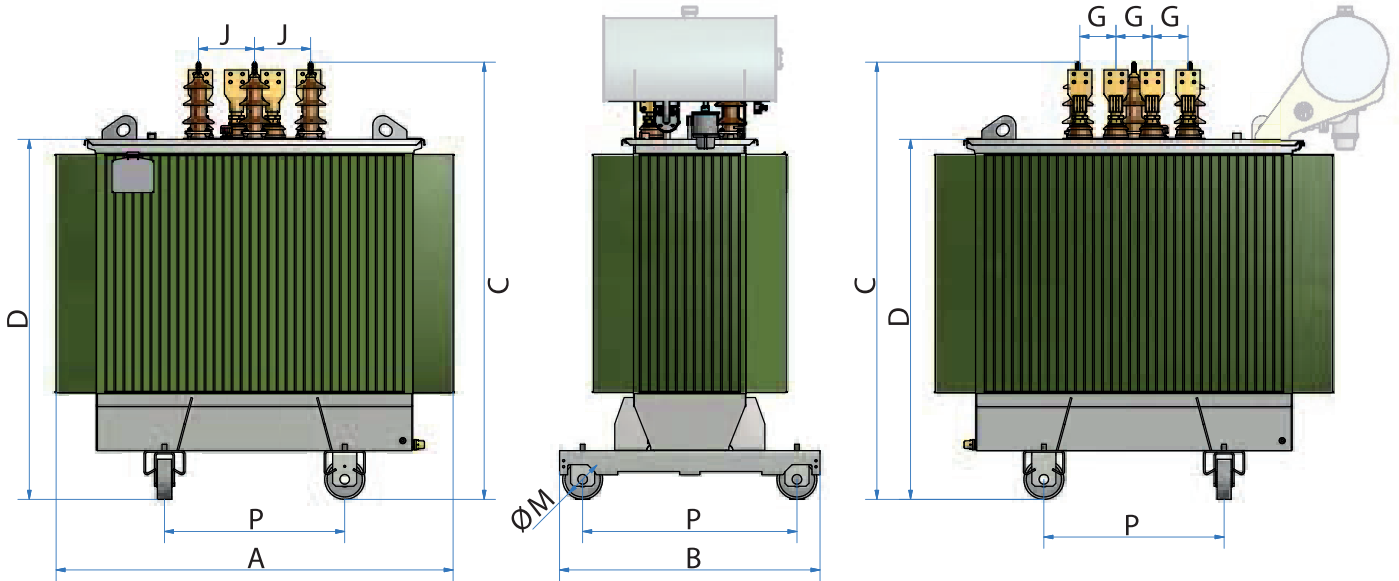


# UNITRAFO

## Oil-immersed Transformers Ecodesign<sup>2</sup> Tier 2 Voltage Class 24 kV

Standards	IEC EN 60076 – IEC EN 50588 – EU 548/2014
Insulating Class (Temperature Rise)	A (60/65 K)
Insulation Class MV	24 kV FI 50 kV BIL 125 kV
Insulation Class LV	1,1 kV FI 3 kV
Frequency	50 Hz
Tappings MV	± 4% or ± 2 x 2,5%
Tolerance	No tolerance on the losses



Hermetically sealed – conservator on request

Power kVA	P <sub>0</sub> * W	P <sub>k</sub> * W	U <sub>k</sub> * %	LwA dB(A)	Total Kg	Oil Kg	A mm	B mm	C mm	D mm	M mm	P mm	J mm	G mm		
100	A <sub>0</sub> -10%	130	C <sub>k</sub>	1250	4	40	1060	220	1030	800	1410	1030	125	520	280	90
160	A <sub>0</sub> -10%	189	C <sub>k</sub>	1750	4	43	1320	260	1150	810	1440	1060	125	520	280	90
200	A <sub>0</sub> -10%	225	C <sub>k</sub>	2016	4	43	1520	290	1220	820	1480	1100	125	520	280	150
250	A <sub>0</sub> -10%	270	C <sub>k</sub>	2350	4	46	1600	300	1150	820	1560	1180	125	520	280	150
315	A <sub>0</sub> -10%	324	C <sub>k</sub>	2800	4	48	1900	360	1250	900	1670	1290	125	670	280	150
400	A <sub>0</sub> -10%	387	C <sub>k</sub>	3250	4	49	2120	390	1290	920	1670	1290	125	670	280	150
500	A <sub>0</sub> -10%	459	C <sub>k</sub>	3900	4	50	2520	440	1370	930	1710	1330	125	670	280	150
630	A <sub>0</sub> -10%	540	C <sub>k</sub>	4600	4	51	2990	490	1410	940	1840	1460	125	670	280	150
630	A <sub>0</sub> -10%	540	C <sub>k</sub>	4600	6	51	2830	510	1490	960	1710	1330	125	670	280	150
800	A <sub>0</sub> -10%	585	C <sub>k</sub>	6000	6	52	3220	560	1490	960	1860	1480	125	670	280	150
1000	A <sub>0</sub> -10%	693	C <sub>k</sub>	7600	6	54	3660	620	1490	1080	1950	1570	160	820	280	150
1250	A <sub>0</sub> -10%	855	B <sub>k</sub>	9500	6	55	3970	680	1530	1100	1990	1610	160	820	280	150
1600	A <sub>0</sub> -10%	1080	B <sub>k</sub>	12000	6	57	4590	810	1560	1210	2100	1720	160	820	280	180
2000	A <sub>0</sub> -10%	1305	B <sub>k</sub>	15000	6	59	5210	900	1940	1340	2140	1760	200	1070	280	180
2500	A <sub>0</sub> -10%	1575	B <sub>k</sub>	18500	6	62	6340	1240	2000	1340	2340	1940	200	1070	280	220
3150	A <sub>0</sub> -10%	1980	B <sub>k</sub>	23000	6	63	8200	1590	2190	1410	2400	2000	200	1070	280	220

\* Data referred to 75°C at rated voltage

Po = Non load losses | Pk = Load losses | Ptot (Po+Pk) = Total losses

**N.B. Dimensions and weights are preliminary and will be confirmed upon order**

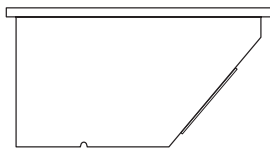
## Standard equipment

- MV regulation tappings  $\pm 2 \times 2,5\%$  wired to off-circuit tap changing switch with external operating handle
- Primary bushings, porcelain (3 pcs) DIN 42531
- Secondary porcelain bushings (4 pcs) line terminals plus Neutral bushing DIN 42530
- Oil drain valve A22
- Bi-directional floor rollers (removable)
- Lugs/eyebolts for lifting and movement
- Earthing terminals, type M12
- Ratingplates (2 pcs) in accordance with IEC 60076 (whereof one unmounted)
- Thermometer pocket, type DIN 42554
- Oil filler cap
- Standard testing with relevant test certificate
- Documentation as digital files

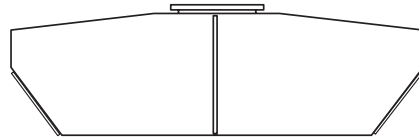
## Options

Optional we can adapt our transformers for your special needs. Please contact us for more information.

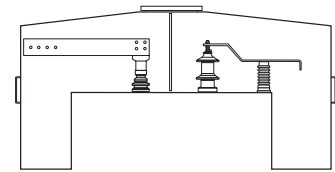
- Pressure relay QUALITROL with 2 contacts
- Oil temperature indicator with two electrical contacts
- Expansion tank
- Buchholz relay
- Drying device
- Elastimold connections
- Protected housings in coated steel – color: RAL 7031
- Marshalling box
- Windings in copper
- Alternative temperature risings and classes
- Double primary- or secondary voltage
- Alternative frequencies
- Low mounted secondary bushings
- Vector group on demand



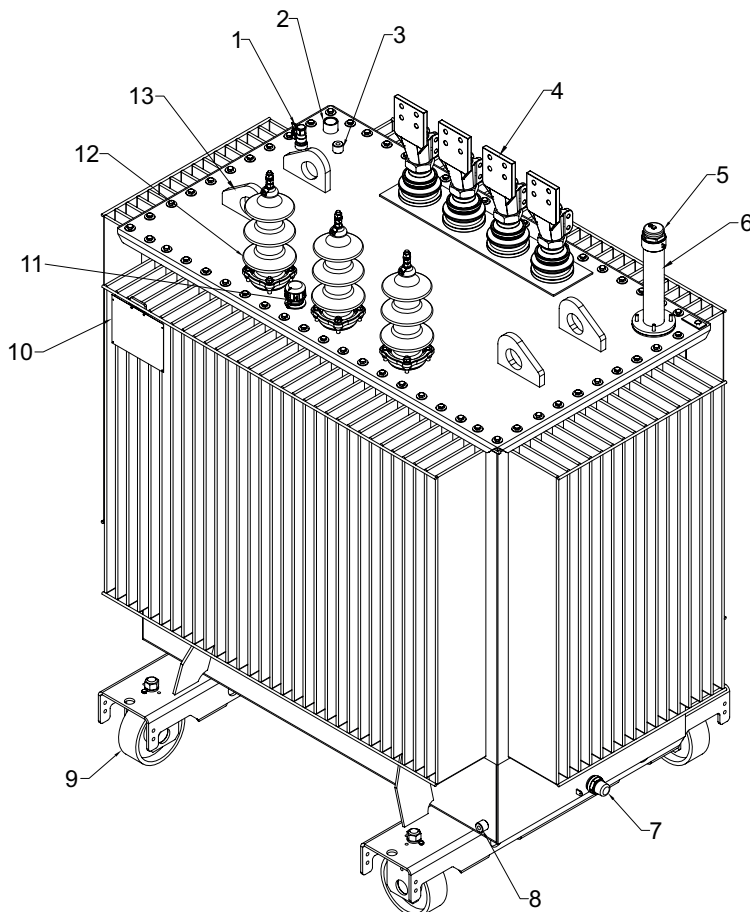
Protected housing with connections on primary or secondary side.



Protected housing with connections on primary and secondary side.



Protected housing with internal rails.



- 1 Filling cap
- 2 Thermometer pocket
- 3 Earthing terminals
- 4 Low voltage bushings
- 5 Safety valve
- 6 Filling pipe
- 7 Drain valve
- 8 Earthing terminals
- 9 Redirectable wheels
- 10 Rating plate
- 11 Off-load tap changer
- 12 Medium voltage bushings
- 13 Lifting lugs