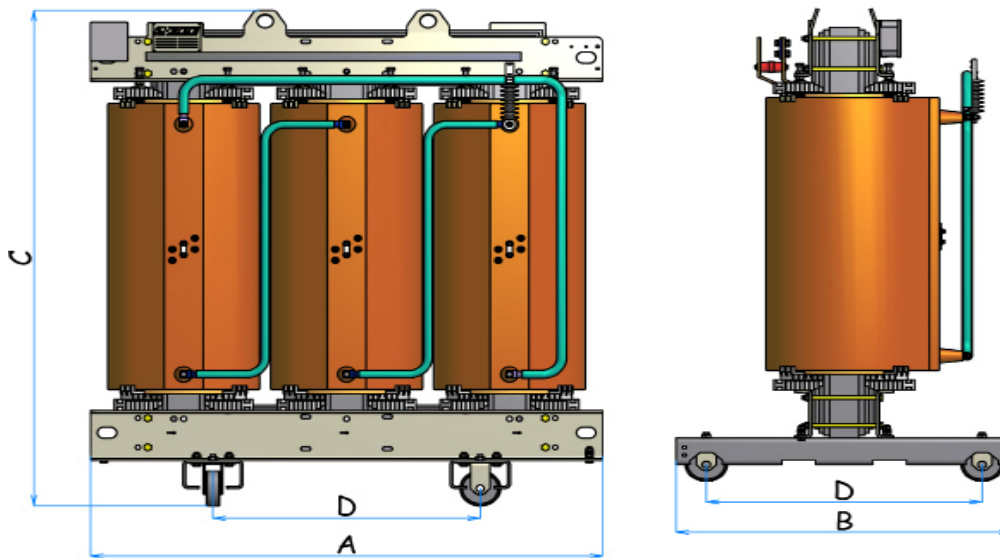


UNITRAFO

Cast Resin Transformers Ecodesign Tier 2 Voltage Class 36 kV

Standards	IEC 60076 - EN 50588 - EU 548/2014
Insulating Class (Temperature Rise)	F (100 K)
Insulation Class MV	36 kV FI 70 kV BIL 170 kV
Insulation Class LV	1,1 kV FI 3 kV
Frequency	50 Hz
Tappings MV	± 2 x 2,5%
Tolerance	No tolerance on the losses



Power kVA	U _k %	P _o * W	P _k * W	I _o %	LwA dB(A)	LpA dB(A)	A mm	B mm	C mm	D mm	Wheel mm	Weight Kg
100	6	289	1980	0,64	50	36	1380	820	1655	670	125	1230
160	6	414	2860	0,57	53	39	1500	820	1750	670	125	1610
200	6	469	3251	0,51	55	41	1560	820	1750	670	125	1800
250	6	538	3740	0,47	56	42	1570	820	1780	670	125	2030
315	6	641	4264	0,46	58	44	1620	820	1780	670	125	2180
400	6	776	4950	0,46	59	45	1620	820	1880	670	125	2340
500	6	933	6193	0,45	60	46	1680	820	1880	670	125	2560
630	6	1138	7810	0,46	61	47	1710	820	1980	670	125	2780
800	6	1345	8800	0,44	63	48	1770	820	2150	670	125	3300
1000	6	1604	9900	0,45	64	49	1800	1000	2300	820	125	3670
1250	6	1863	12100	0,40	66	51	1920	1050	2470	820	160	4530
1600	6	2277	14300	0,40	67	52	1980	1050	2510	820	160	5070
2000	6	2691	17600	0,36	69	53	2160	1300	2595	1070	200	6200
2500	6	3208	20900	0,32	70	54	2280	1300	2655	1070	200	7800
3150	6	3933	24200	0,34	73	57	2400	1300	2655	1070	200	8600

* Data referred to 120°C at rated voltage

Po = Non load losses | Pk = Load losses | Ptot (Po+Pk) = Total losses

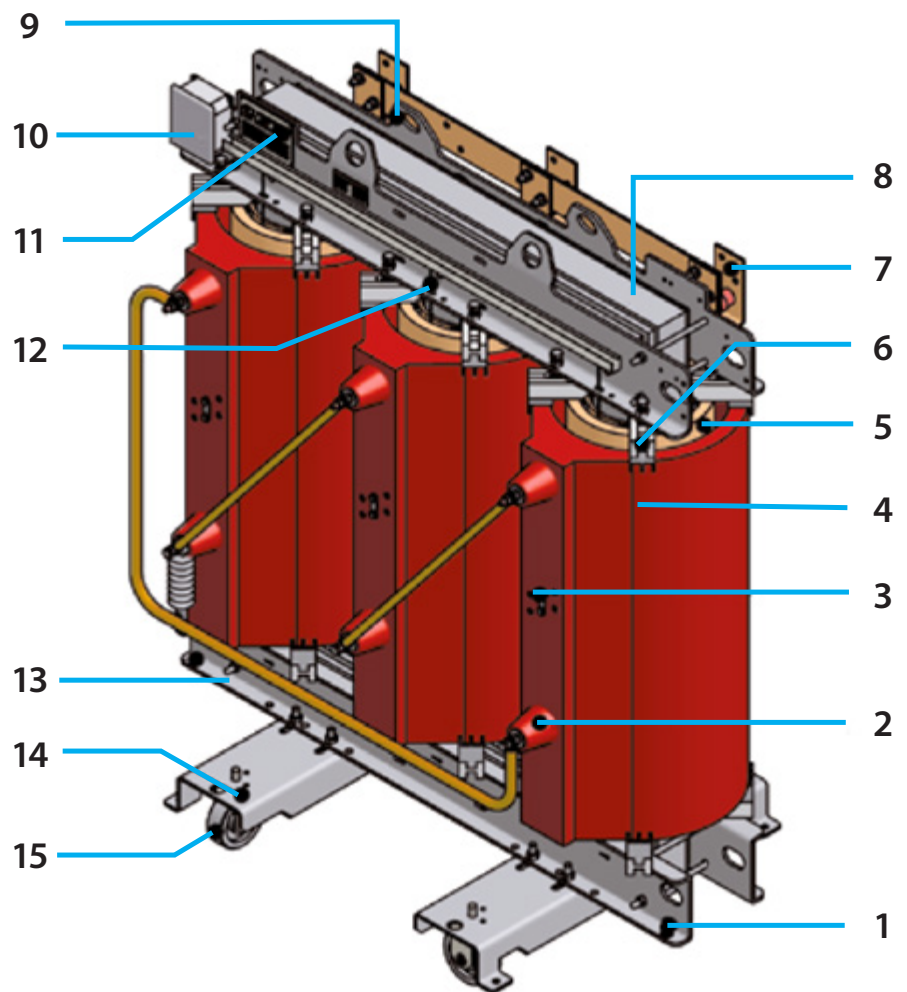
N.B. Dimensions and weights are preliminary and will be confirmed upon order

Standard equipment

- Terminal board for voltage regulation of $\pm 2 \times 2,5\%$ (Disconnected transformer)
- High Voltage output insulator
- HV connections with n.3 brass details M12
- LV connections plate in aluminum
- Earthing link
- Thermometer with 2 changeover contacts, type JUMO
- Lugs/eyebolts for lifting or horizontal movement
- Trucks (2 pcs) with orthogonal swivelling revolving wheels (4 pcs)
- Ratingplates in accordance with IEC 60076 (2 pcs, whereof one is delivered unmounted)
- Standard testing, including relevant test certificate
- Documentation as digital files

CAST RESIN TRANSFORMER – PRINCIPLE SKETCH

- 1 Earthing Terminal
- 2 Medium Voltage Output Insulator
- 3 Medium Voltage Tapping
- 4 Medium Voltage Windings
- 5 Low Voltage Windings
- 6 Windings Pressure Plugs
- 7 Low Voltage Output Bars
- 8 Magnetic Core
- 9 Lifting Eyebolts
- 10 Centralization Auxiliary Box
- 11 Data Plate
- 12 Thermal Sensors
- 13 Core Frame
- 14 Eyebolts for Horizontal Movement
- 15 Orthogonal Revolving Wheels



Options

As an alternative option we can adapt our transformers for your specific needs. For instance we can offer you transformers with extra low losses, windings in copper for special applications, alternative temperature risings and calsses,

double primary- or secondary current, alternative frequencies, low fitted bushings and vector groups as desired. Below you can see some of the options we offer.

TEMPERATURE SUPERVISION

ITEM NO.	DESCRIPTION	ITEM NO.	DESCRIPTION
2	Digitalt thermo instrument with 3 contacts for PT100, T154 Tecsystem	7	PT-100-sensor, 3 pcs incl. mounting
3	Temperature relay for PTC-termistors, T119 Tecsystem	10	Thermometer with 2 changeover contacts, type JUMO
4	Digitalt thermo instrument for PT100 with analogue output 4-20 mA or serial 485-connection or modbus, NT935 Tecsystem	10-P	Temperature transmitter incl. program display, with analouge output 4-20 mA for PT100-sensor

ADDITIONAL ACCESSORIES

ITEM NO.	DESCRIPTION	ITEM NO.	DESCRIPTION
33	Complete fan cooling for forced cooling (power increase +30%) including digitalt temperature instrument T154 and protective relay for fan engines VRT200 (pos 2+36.2). Up to 3150 kVA	42	Electrostatic screen between primary and secondary voltage, max 1,1 kV
36.2	Protective relay for fan engine VRT200 for panel mounting. (N.B. included in the package above)	43	Housing protection - plexiglass
38	Antivibration pads, set of 4 pcs/ transformer	43.1	Plexiglass protection for terminal boards
40	Earthing bolts for HV- or LV-side (Ø 25 mm)	44	Cupal plates
40 A	Earthing link, type Pfisterer (earthing link, control rod och hanger) for work earthing at HV-side with max allowed short circuit current for one second	58	Low placed secondary voltage connectors
40 B	Earthing switch, type ABB, EB12/24, HV-side. Complete with help contact, locking solenoid, hand lever and front		

TESTING*

ITEM NO.	DESCRIPTION	ITEM NO.	DESCRIPTION
	Shock test (up to 6300 kVA)		Heat test
	Sound test		Participation in test at the factory

* Standard testing according to IEC 60076, is always included.