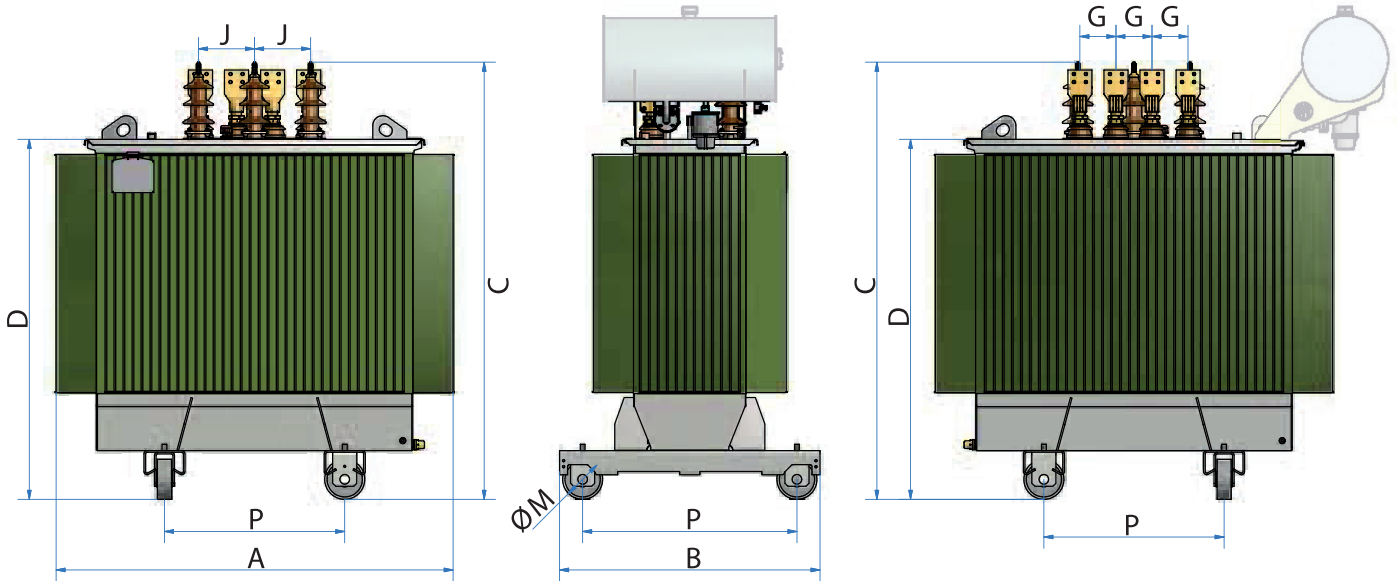


UNITRAFO

Oil-immersed Transformers Ecodesign2 Voltage Class 12 kV

Standards	IEC EN 60076 – IEC EN 50588 – EU 548/2014
Insulating Class (Temperature Rise)	A (60/65 K)
Insulation Class MV	12 kV FI 28 kV BIL 75 kV
Insulation Class LV	1,1 kV FI 3 kV
Frequency	50 Hz
Tappings MV	± 4% or ± 2 x 2,5%
Tolerance	No tolerance on the losses



Hermetically sealed – conservator on request

Power kVA	P ₀ * W	P _k * W	U _k * %	LwA dB(A)	Total Kg	Oil Kg	A mm	B mm	C mm	D mm	M mm	P mm	J mm	G mm		
100	A ₀ -10%	130	C _k	1250	4	40	960	200	1020	780	1330	1020	125	520	280	90
160	A ₀ -10%	189	C _k	1750	4	43	1160	230	1020	790	1360	1050	125	520	280	90
200	A ₀ -10%	225	C _k	2016	4	43	1400	260	1180	800	1400	1090	125	520	280	150
250	A ₀ -10%	270	C _k	2350	4	46	1520	280	1150	820	1440	1130	125	520	280	150
315	A ₀ -10%	324	C _k	2800	4	48	1730	310	1250	890	1520	1210	125	670	280	150
400	A ₀ -10%	387	C _k	3250	4	49	1930	340	1270	900	1600	1290	125	670	280	150
500	A ₀ -10%	459	C _k	3900	4	50	2180	350	1250	920	1600	1290	125	670	280	150
630	A ₀ -10%	540	C _k	4600	4	51	2670	420	1310	930	1740	1430	125	670	280	150
630	A ₀ -10%	540	C _k	4600	6	51	2570	450	1430	950	1600	1290	125	670	280	150
800	A ₀ -10%	585	C _k	6000	6	52	3010	510	1490	970	1720	1410	125	670	280	150
1000	A ₀ -10%	693	C _k	7600	6	54	3450	560	1430	1090	1880	1570	160	820	280	150
1250	A ₀ -10%	855	B _k	9500	6	55	3740	610	1430	1180	1880	1570	160	820	280	150
1600	A ₀ -10%	1080	B _k	12000	6	57	4190	730	1790	1100	2030	1690	160	820	280	180
2000	A ₀ -10%	1305	B _k	15000	6	59	4900	850	1940	1340	2110	1770	200	820	280	180
2500	A ₀ -10%	1575	B _k	18500	6	62	6310	1200	1990	1340	2340	1940	200	820	280	220
3150	A ₀ -10%	1980	B _k	23000	6	63	7770	1440	2090	1360	2420	2020	200	1070	280	220

* Data referred to 75°C at rated voltage

Po = Non load losses | Pk = Load losses | Ptot (Po+Pk) = Total losses

N.B. Dimensions and weights are preliminary and will be confirmed upon order

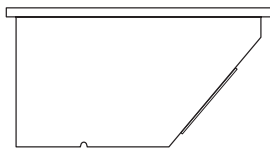
Standard equipment

- MV regulation tappings $\pm 2 \times 2,5\%$ wired to off-circuit tap changing switch with external operating handle
- Primary bushings, porcelain (3 pcs) DIN 42531
- Secondary porcelain bushings (4 pcs) line terminals plus Neutral bushing DIN 42530
- Oil drain valve A22
- Bi-directional floor rollers (removable)
- Lugs/eyebolts for lifting and movement
- Earthing terminals, type M12
- Ratingplates (2 pcs) in accordance with IEC 60076 (whereof one unmounted)
- Thermometer pocket, type DIN 42554
- Oil filler cap
- Standard testing with relevant test certificate
- Documentation as digital files

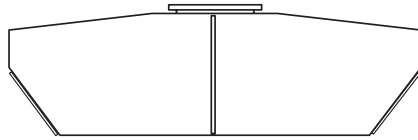
Options

Optional we can adapt our transformers for your special needs. Please contact us for more information.

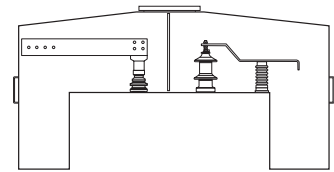
- Pressure relay QUALITROL with 2 contacts
- Oil temperature indicator with two electrical contacts
- Expansion tank
- Buchholz relay
- Drying device
- Elastimold connections
- Protected housings in coated steel – color: RAL 7031
- Marshalling box
- Windings in copper
- Alternative temperature risings and classes
- Double primary- or secondary voltage
- Alternative frequencies
- Low mounted secondary bushings
- Vector group on demand



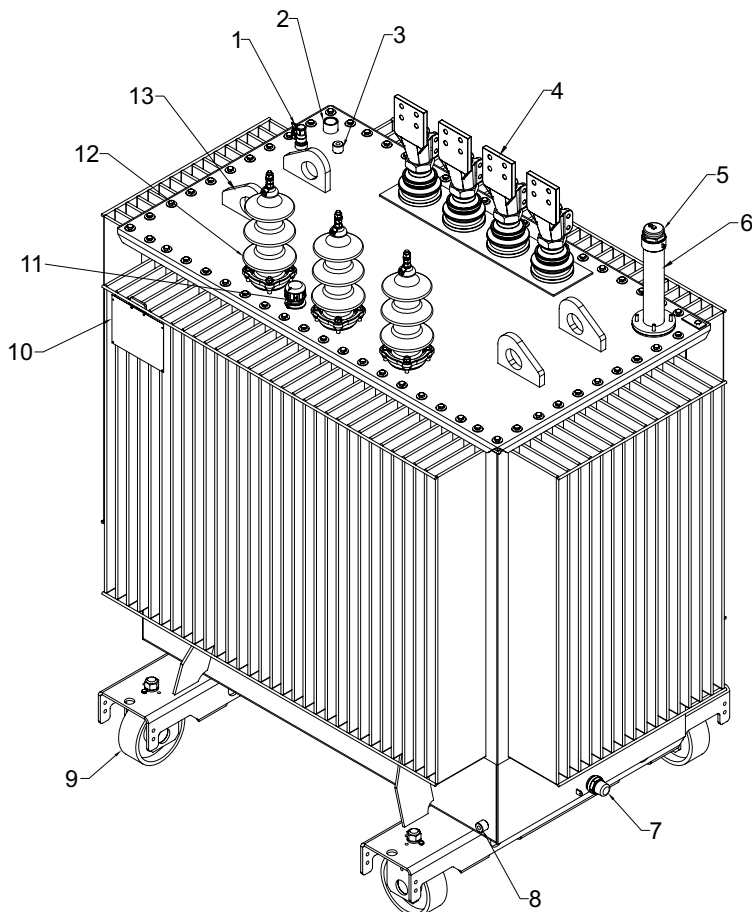
Protected housing with connections on primary or secondary side.



Protected housing with connections on primary and secondary side.



Protected housing with internal rails.



- 1 Filling cap
- 2 Thermometer pocket
- 3 Earthing terminals
- 4 Low voltage bushings
- 5 Safety valve
- 6 Filling pipe
- 7 Drain valve
- 8 Earthing terminals
- 9 Redirectable wheels
- 10 Rating plate
- 11 Off-load tap changer
- 12 Medium voltage bushings
- 13 Lifting lugs